

## BarnDoorTrack™

**CS BarnDoorTrack™** is a traditional style sliding door track system suitable for internal applications where there is enough strength in the wall to side mount a track above an opening.

The track is pre-finished black anodised and supplied with fixing bracket, stops, door hangers and T-Guide.

Traditional style barn door track engineered for smooth running heavy doors.

This system has been engineered for quick, easy installation and smooth running for heavy doors.



↑ 3 - CS Barn Door Track with painted timber door.



↑ 1 - CS Barn Door Track & Hangers



 **SofStop®** AVAILABLE WITH:  
Soft Close / Soft Open

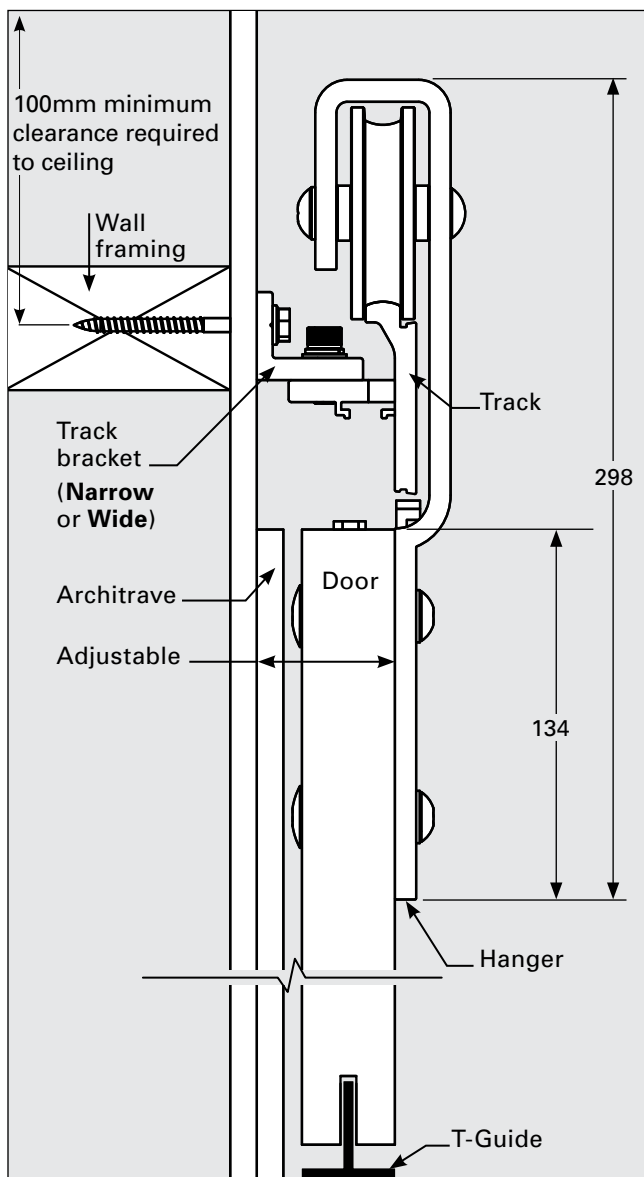
↑ 2 - CS Barn Door Track with white painted timber door.

## Technical Information

### How to specify (example)

Product:	~ CS BarnDoorTrack by CS FOR DOORS
Location:	~ Living Room
Track length:	~ 2400mm
Track bracket:	~ Wide
Single or Bi-Parting:	~ Single
Door type:	~ CS AluTec
Door finish:	~ Matt Black Powder coat
Door leaf dimensions:	~ 2400 x 1200mm
Handle type:	~ CaviLock CL400 Passage

## Fixing Detail



## Design Features & Options

- ▮ Track bracket is adjustable to allow for different door and architrave thickness.
- ▮ Track is high-quality, heavy duty extruded aluminium with black anodised finish.
- ▮ Ultra smooth running acetal wheels.
- ▮ Anti-jump system ensures door cannot jump off the track.
- ▮ SofStop® option available (suitable for retrofit).
- ▮ Pre-machined mounting holes for easy installation.
- ▮ Track capacity: 300kg (SofStop: max 100kg per door).
- ▮ Standard stocked lengths available: 6', 7', 8', 10', 12' (1.8m, 2.1m, 2.4m, 3.0m, 3.6m)

## Installation Notes

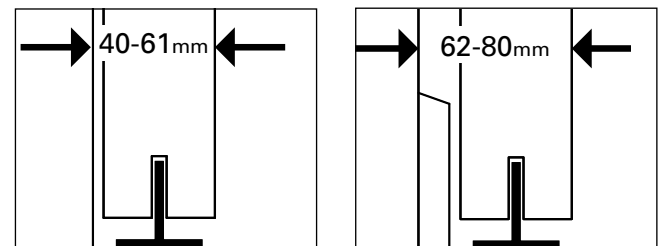
There must be enough strength in the wall to mount a track above the doorway. The stud wall must be level and solid enough to support the door weight.

This track is supplied with coach screws suitable for use with timber framing. For fixing to concrete walls, masonry anchors must be used.

## Determine overall thickness

This track system is supplied with either a Narrow or Wide track bracket which must be specified at time of order. The bracket can be adjusted to suit an overall thickness of door + gap + architrave of:

**40 - 61mm (Narrow option) or 62 - 80mm (Wide option).**



## How to Order

1. **Specify track length** (available in 1.8m, 2.1m, 2.4m, 3.0m, 3.6m pre-cut lengths)
2. **Choose Narrow or Wide bracket**
3. **Select hanger packs** (one pack per door)
4. **Select SofStop packs** (Max. door weight 100kg. Two packs required for soft open & close)

Drawings are not to scale. All dimensions in mm.



**CS FOR DOORS NZ**  
0800 754 337



[www.csfordoors.co.nz](http://www.csfordoors.co.nz)  
info@csfordoors.co.nz



[www.cavitysliders.com.au](http://www.cavitysliders.com.au)  
info@cavitysliders.com.au



**CS Cavity Sliders Pty Ltd**  
**Australia**  
1300 975 433