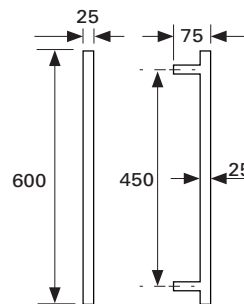


Pull Handles for Frameless Glass Cavity Sliders

Handles & Locks for Sliding Doors

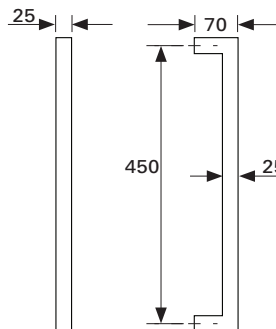
Turin

Door Thickness: Glass 10mm to 12mm
Timber/Aluminium 35mm to 50mm
Fixing: Back to back only
Material: Satin Stainless Steel
Door Type: Timber, Aluminium or Glass
CS Code: CL800A5009



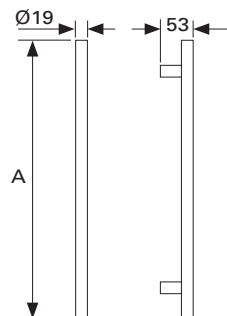
Dalco 1213 D-Pull

Door Thickness: Glass 10mm to 12mm
Fixing: Back to back only
Material: Satin Stainless Steel
Door Type: Timber, Aluminium or Glass
CS Code: CL800A5006



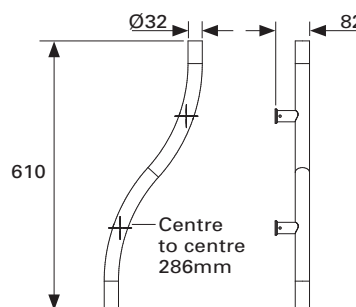
Windsor Tubular Pull

Standard sizes range from 300mm to 1200mm (A)
Fixing: Back to back pairs
Also available as singles with face fix or rear through door fixing
Material: Marine Grade Stainless Steel
Door Type: Timber, Aluminium or Glass



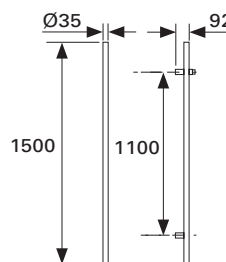
Asso Pull Handle

Door Thickness: Glass 10mm to 12mm
Timber 40mm to 52mm
Fixing: Back to back only
Material: Brushed Stainless Steel
Door Type: Timber, Aluminium or Glass



Windsor Locking Pull

Fixing: Back to back only
Material: Stainless Steel
Door Type: Timber, Aluminium or Glass



Drawings & pictures are not to scale. All dimensions in millimetres. © Cavity Sliders Limited.

Bay of Plenty / Waikato
T 07 928 0800
F 07 928 2525

Christchurch
T 03 348 6158
F 03 348 6150

Wellington
T 04 473 9994
F 04 473 9995

Auckland Head Office
T 09 276 0800
F 09 276 2525