

Additional HowTO installation instructions

Twin Soft Open & Soft Close



WE GUARANTEE PRODUCT WITH OUR SERIAL CODES FOR UP TO TEN YEARS*

The instructions on this sheet are supplementary to the cavity slider installation instructions and should be read carefully before you begin.

The following instructions are for a **Twin Action Sofstop (soft open and soft close)**.

Follow steps **2a - 2e** to fit the carriages and door for installation. Follow the cavity slider installation instructions to install the cavity pocket.

The following points must be taken into account during installation:

1 The hole in the wall.

Calculation of how big the hole in the wall framing should be to fit this unit:

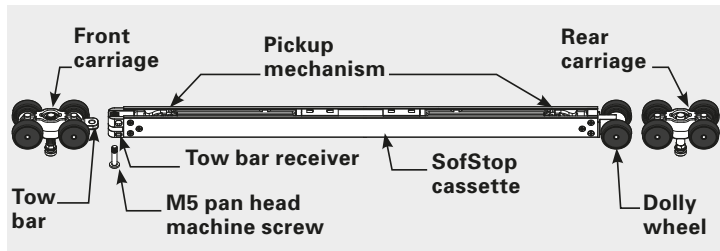
Height = door leaf height + 105mm

Width - Single: (door leaf width x 2) + 30mm

Width - Bi-Parting: (door leaf width x 4) + 10mm

2 Installing the SofStop Twin mechanism.

The SofStop Twin mechanism (Soft Open & Soft Close) fits together as shown:



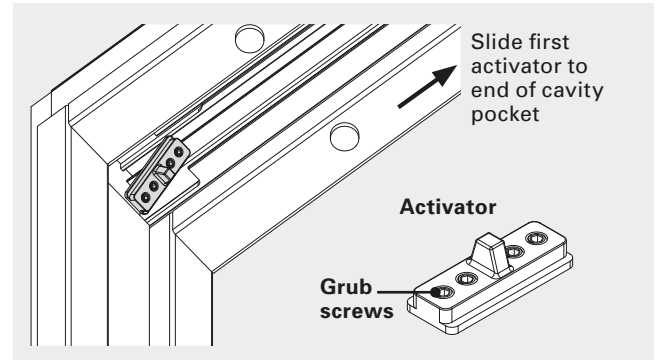
Follow the supplied Installation Instructions for **CS TimberFormed** or **CS SpaceMaker** cavity slider to install the cavity pocket.

Note: you will need to fit the carriages and door to install the cavity. Once you are happy with the installation, remove the door and carriages so you can install the activators correctly.

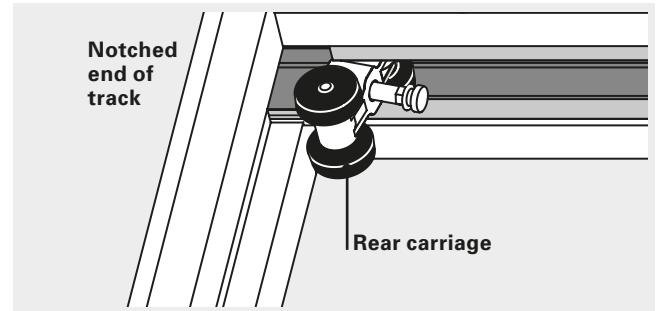
IMPORTANT: the Sofstop Cassette has been supplied set by the manufacturer. It is important that it is not tampered with prior to installation.

To load the SofStop mechanism into the track:

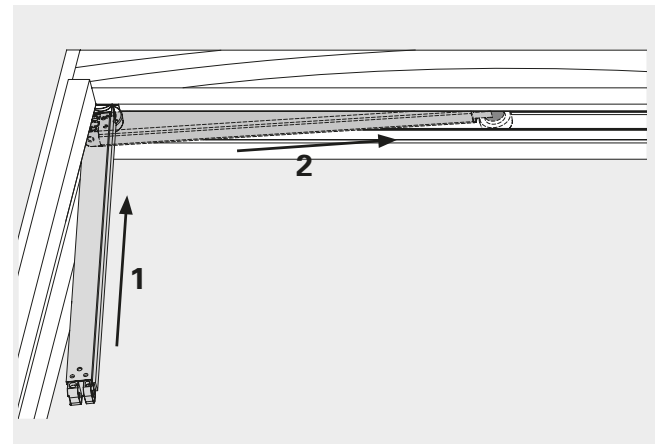
- a) Insert one of the activators into the notch in the track and slide it to the end of the cavity pocket. Do not tighten the screws - this position is temporary.



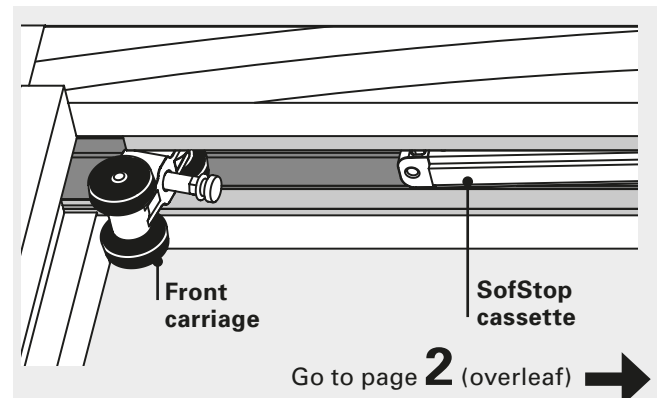
- b) Insert the rear carriage in from the notched end of the track. (Rear carriage does **not** have a tow bar).



- c) Insert the cassette into the notched end of the track, dolly wheel first, ensuring that the pickup mechanism is facing up.



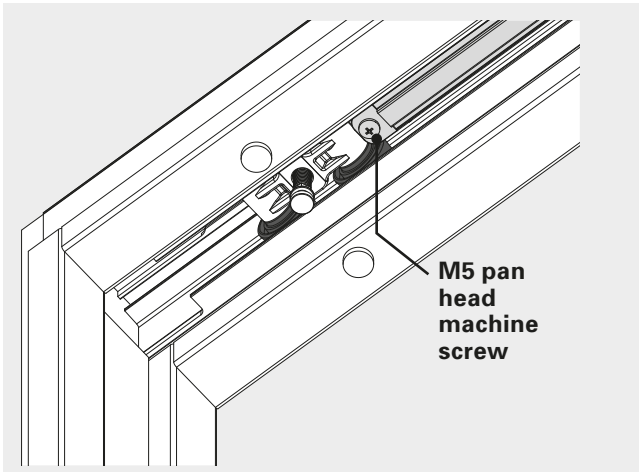
- d) Slide the front carriage into the track with the tow bar facing into the pocket.



DO NOT LINE THE POCKET UNTIL THE SOFSTOP MECHANISM HAS BEEN INSTALLED AND TESTED.

Go to page **2** (overleaf) →

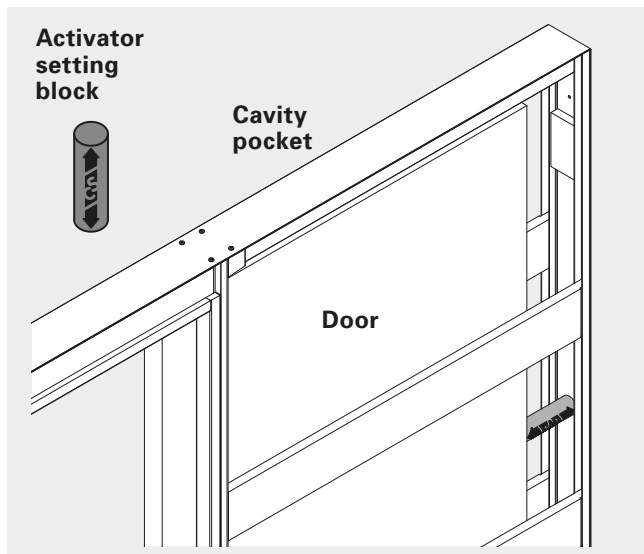
- 2 e) Secure the carriage to the cassette with the M5 pan head machine screw.
Tighten with a #2 Phillips drive.



- 3 Hang the door. Follow the standard HowTO Installation Instructions.

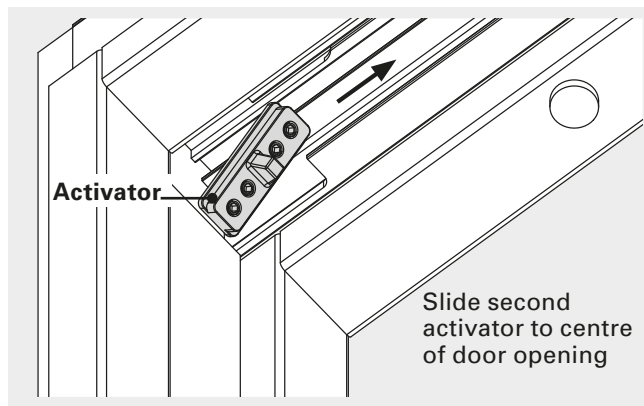
4 Set the activator positions.

- a) With door in closed position move the first activator into the approximate centre of the pocket. **Do not tighten screws.**
- b) Position the activator setting block inside the back stud and gently open the door onto it. The activator will slide along the track into the correct position.

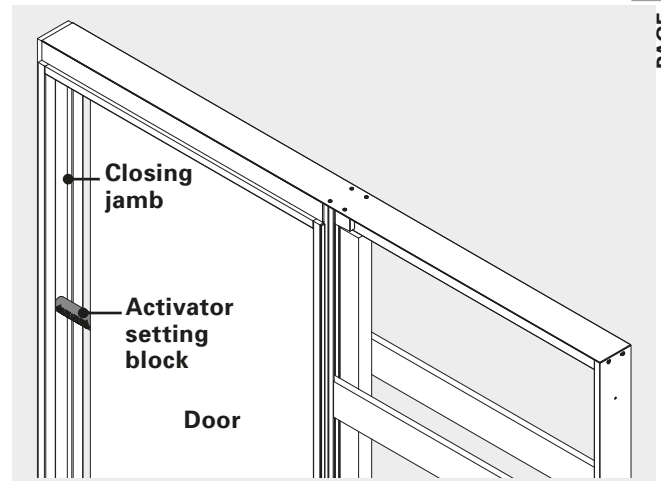


- c) Close the door and remove the activator setting block. Without moving the activator, tighten all four grub screws.

- d) Open the door and insert the second activator, moving it into the approximate centre of the door opening. Do not tighten the grub screws.



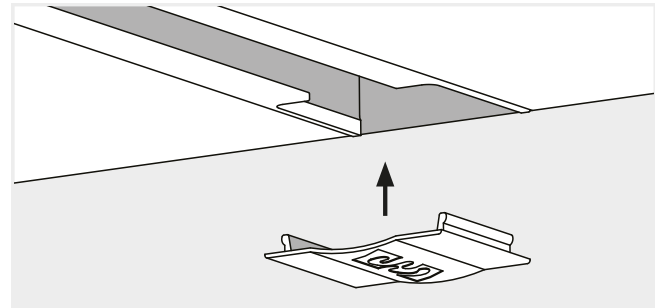
- 4 e) Position the activator setting block inside the closing jamb and gently close the door onto it.



- f) Open the door and remove the activator setting block. Without moving the activator, tighten all four grub screws. The activators are now positioned.

Note: Some doors may still bump on the closing jamb when closing. If this is a concern, a 3M clear dome stop (or similar) can be used.

- 5 Insert the track notch cover if required.



- 6 Removing the door leaf.

Follow the standard HowTO Installation Instructions.

IMPORTANT:

The CS SofStop carriages require a clean track running surface free of any contamination or damage.

After installation but before lining, **clean the full length of the inside running surface of the track with a soft rag, then TAPE UP THE TRACK to ensure no dust or debris enter the track during building works.**

CavitySliders®

Cavity Sliders Limited
Auckland Head Office

5 - 7 Rakino Way
Mt Wellington

PO Box 112349, Penrose
Auckland 1642, NZ

T 09 276 0800
F 09 276 2525

CS Cavity Sliders Pty Ltd
Sydney

PO Box 158
Freshwater, NSW 2096

T 02 9905 0588
F 02 9905 7088

www.csfordoors.co.nz
www.cavitysliders.com.au

All copyright and other property in this document is reserved by Cavity Sliders Limited. Details and specifications are subject to change without notice. Whilst all care is taken to ensure the accuracy of all information, no responsibility will be accepted for any errors or omissions.

CS SOFSTOP® TWIN (O.D. 2012). 10.2018 - ZG00095 / 60721

© Cavity Sliders Ltd. Drawings are not to scale. All dimensions are in mm.