

These instructions are supplementary to the instructions you already have and should be read after you have read the HowTO instruction set for the unit purchased.

For doors that < slide > inside walls

SquareStop™

CS SquareStop detail is a special jamb detail allowing you to finish the wall with no visible jamb liner.

Because this look creates a minimalist jamb finish, it is a natural partner for a number of other products and options in the CS range.

It works particularly well with Full-Height and NoClosingJamb units, providing a seamless, clean flow around doorways.

Installation

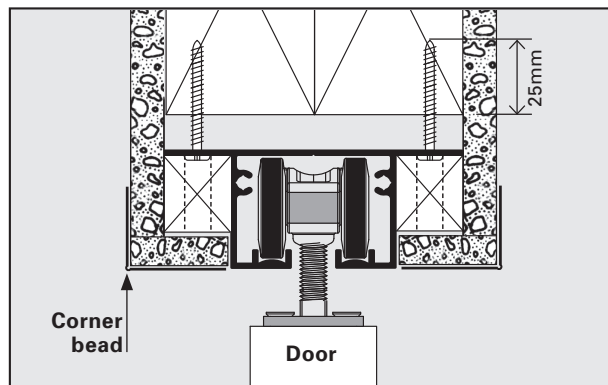
The installation details shown on this page are intended as a guide only and ultimate responsibility lies with the installer.

To ensure a quality finish, note the following points:

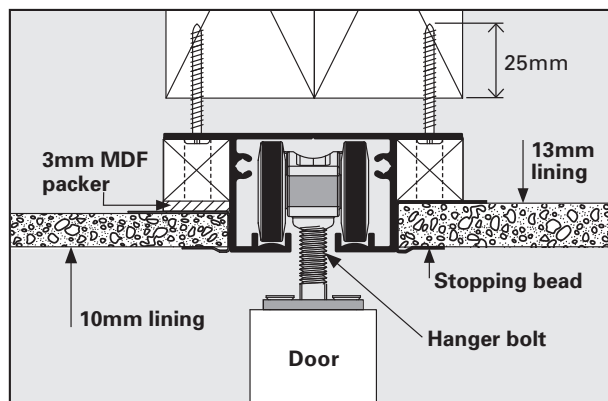
- Using the label on the split jamb as a guide (see overleaf), glue and fix the plaster board to the split jamb with #8 x 25mm Bugle Head Self Drilling Screws at 200mm centres top to bottom. Ensure the bead size of the adhesive is at least 5mm diameter.
- Use plasterboard tape, e.g. FibaFuse to strengthen the plastered area over the split jamb (see **Stopping Detail for Split Jamb**).
- Use stopping beads on head and closing jambs for a neat edge on the visible corners.

Head Detail (Suggested detail only)

Option 1

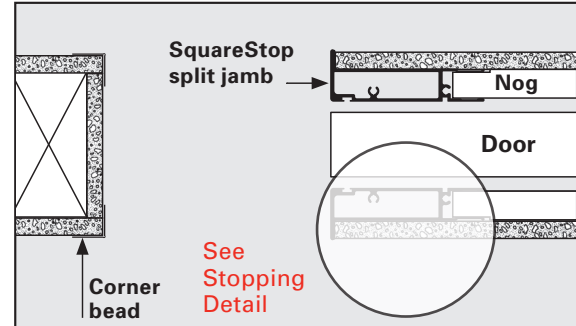


Option 2

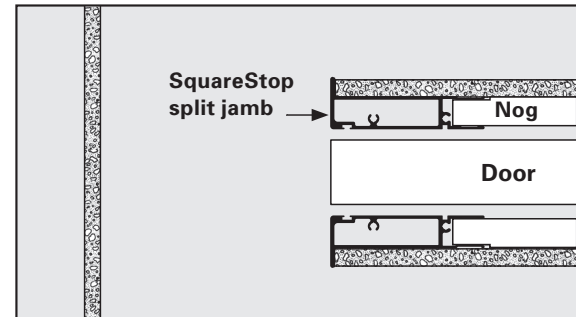


Jamb Detail (Suggested detail only)

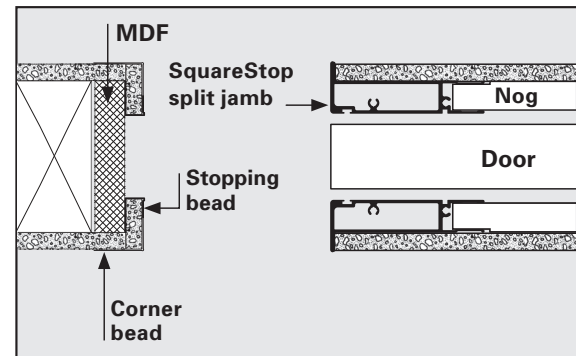
Option 1



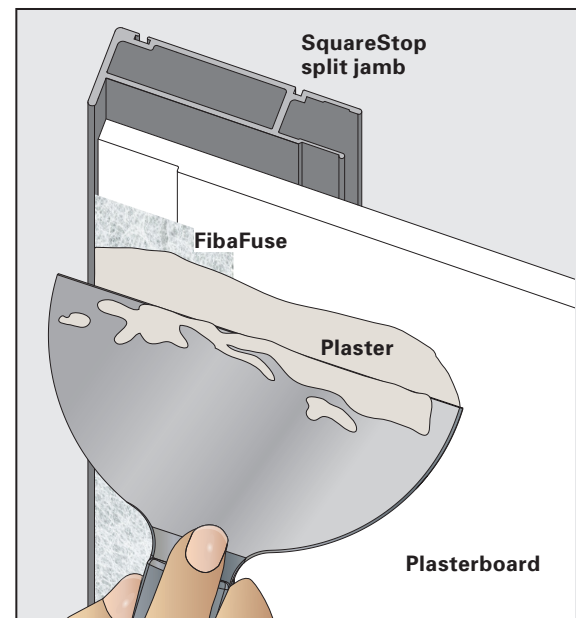
Option 2



Option 3

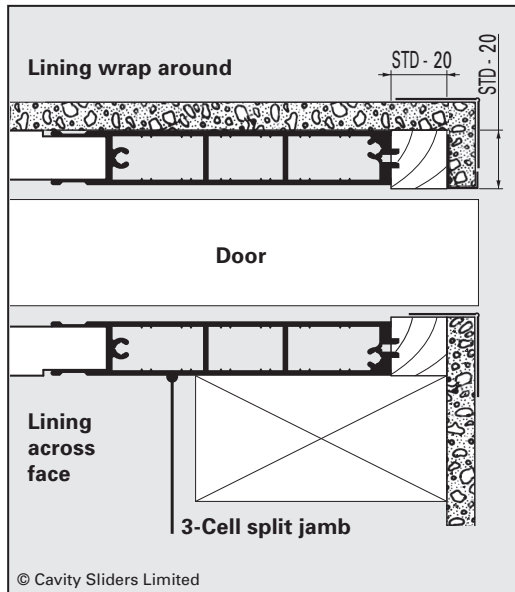


Stopping Detail for Split Jamb



Alternative Detail - 3-Cell Split Jamb

The timber jambs are moved so that the plasterboard may be wrapped around the face of the jamb.

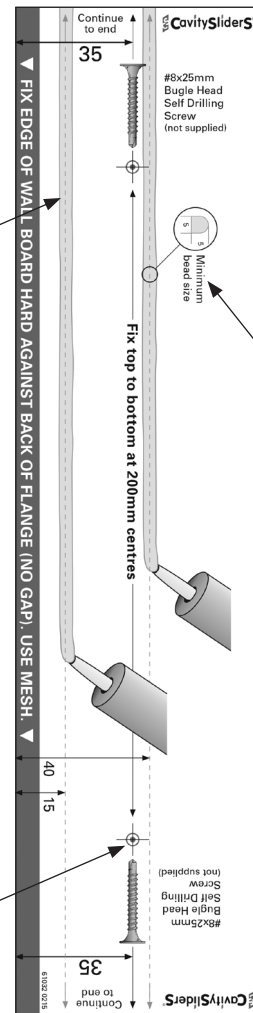


Fixing linings

Use label on split jamb as a guide

Glue plaster board top to bottom as shown.

Fix at 200mm centres top to bottom.



Ensure the bead size of the adhesive is at least 5mm diameter.

Painting

The split jamb is pre-primed with a powder coat primer. This must be sanded and finished with a top coat of paint. This information sheet contains detailed top coat preparation and application instructions as recommended by the manufacturer of the primer.

Top coating this primer with paint other than Dulux X10 or Aquanamel is not recommended by the manufacturer of the primer.

Equivalent paints may be used, but consider applying a test patch of top coat before full coverage is attempted.

- The powdercoated surface should be given a thorough light sand using silica free P220 grit or similar.
- After sanding, follow with a thorough clean using methylated spirits to remove all dust and contaminants.

For more technical information please phone Orica Powder Coatings: 09 441 8244 and quote product code *915 Line Titania Matt Primer*.

Disclaimer: Cavity Sliders Ltd. cannot be held responsible for any failed paint application.

Follow this preparation when using Dulux Aquanamel

Second and third coat: DULUX Aquanamel Semi Gloss Acrylic Enamel (brush, roller, conventional and airless spray).

Coat	Dry film thickness (microns)	Theoretical spreading rate (m ² /L)*	Recoat**
2nd	min 23	16.1	4 hrs
	max 23	16.1	
3rd	min 23	16.1	4 hrs
	max 23	16.1	

Follow this preparation when using Dulux Weathershield X10

Second and third coat: DULUX Weathershield X10 Semi Gloss Acrylic (brush, roller, conventional and airless spray).

Coat	Dry film thickness (microns)	Theoretical spreading rate (m ² /L)*	Recoat**
2nd	min 25	16.0	2 hrs
	max 25	16.0	
3rd	min 25	16.0	2 hrs
	max 25	16.0	

* Practical spreading rate will vary from the quoted theoretical spreading rate due to factors such as method and condition of application and surface roughness.

** Recoat times are quoted for 25°C and 50% relative humidity. These may vary under different conditions.

Drawings are not to scale. All dimensions in mm.

© CS FOR DOORS and CS Cavity Sliders are Registered Trademarks. New Zealand Patent No: 533838. All copyright and other property in this document is reserved by Cavity Sliders Limited. Details and specifications are subject to change without notice. Whilst all care is taken to ensure the accuracy of all information, no responsibility will be accepted for any errors or omissions.

Another quality product from:

