

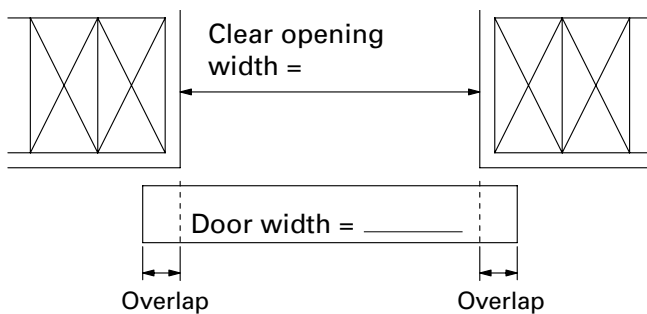
BarnDoorTrack™ - Single

Door width = _____

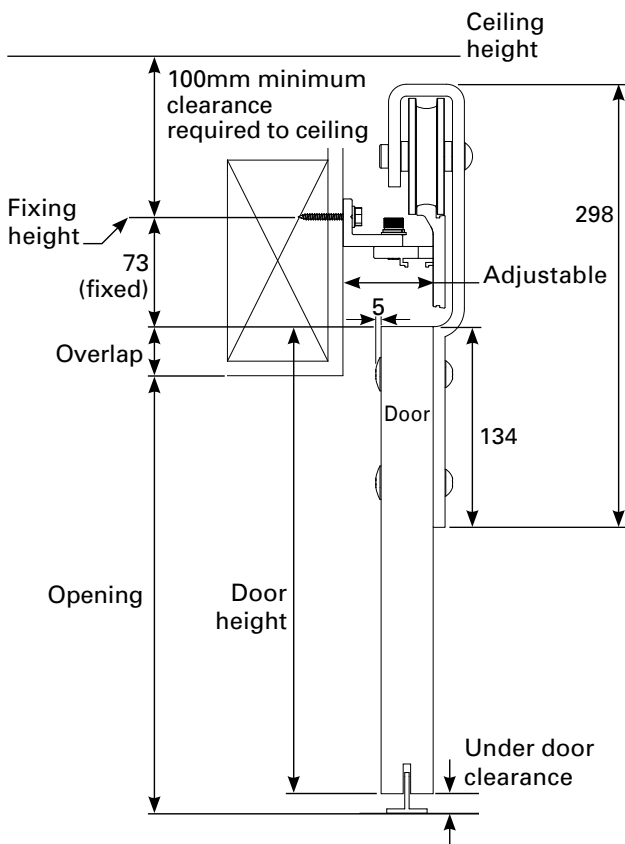
Track length = _____

Overlap = 50 / 70 / 100

Plan



Elevation



Requires
1x Hanger Pack per door
(sold separately)
which contains:
 2x HANGER BRACKETS
 2x TRACK STOPS
 FLOOR GUIDE

Door Height Calculation

Opening _____

+ Overlap _____

Less Under Door clearance _____

Door Height = _____

Door Width Calculation

Clear opening _____

+ (2 x overlap) _____

Door width = _____

Track Length Calculation

(DW x 2) _____

- overlap _____

Track length = _____

Fixing Height Calculation

Door Height _____

+ 73mm (fixed) **+73**

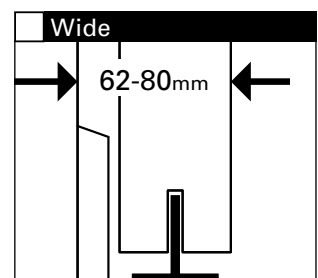
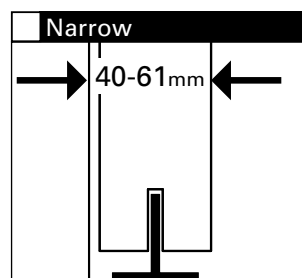
+ Under Door clearance _____

Fixing Height = _____

Determine overall thickness

Track is supplied with either a Narrow or Wide track bracket which can be adjusted to suit an overall thickness of door + gap + architrave of:

40 - 61mm (Narrow option) or 62 - 80mm (Wide option).



Drawings are not to scale. All dimensions in mm.

info@csfordoors.co.nz
www.csfordoors.co.nz

Bay of Plenty / Waikato
 T 07 928 0800
 F 07 928 2525

Christchurch
 T 03 348 6158
 F 03 348 6150

Wellington
 T 04 473 9994
 F 04 473 9995

Another quality product from:

 **FOR DOORS**
Auckland Head Office
 T 09 276 0800
 F 09 276 2525

Disclaimer: All drawings are suggested detail only and not for engineering purposes. Cavity Sliders Limited accepts no responsibility for errors or omissions in drawing. Drawings and details may be subject to change. The information contained in this drawing is the sole property of Cavity Sliders Limited. Any reproduction, disclosure or use of this document without the written permission of Cavity Sliders Limited is strictly prohibited.

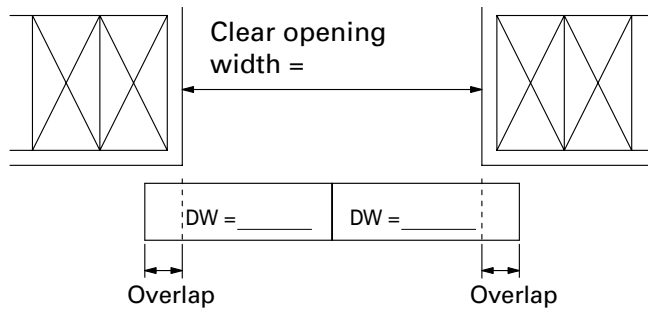
BarnDoorTrack™ - Bi-Parting

Door width = _____

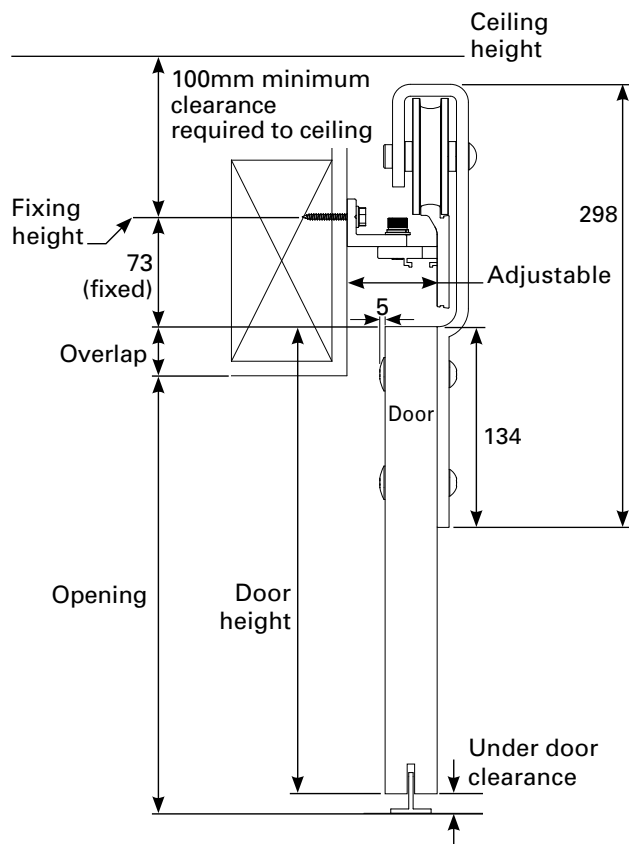
Track length = _____

Overlap = 50 / 70 / 100

Plan



Elevation



Requires
1x Hanger Pack per door
(sold separately)
which contains:
 2x HANGER BRACKETS
 2x TRACK STOPS
 FLOOR GUIDE

Door Height Calculation

Opening _____
 + Overlap _____
 Less Under Door clearance _____
 Door Height = _____

Door Width Calculation

Clear opening _____
 + (2 x overlap) _____
 ÷ 2 _____
 Door width = _____

Track Length Calculation

(DW x 4) _____
 - (2 x overlap) _____
 Track length = _____

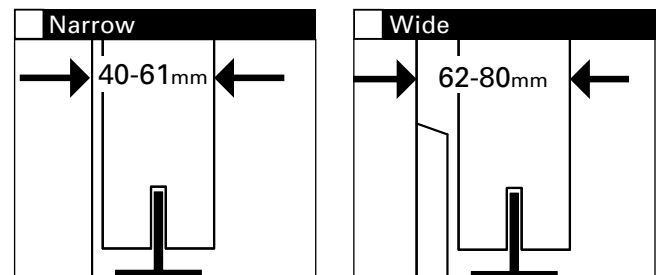
Fixing Height Calculation

Door Height _____
 + 73mm (fixed) **+73**
 + Under Door clearance _____
 Fixing Height = _____

Determine overall thickness

Track is supplied with either a Narrow or Wide track bracket which can be adjusted to suit an overall thickness of door + gap + architrave of:

40 - 61mm (Narrow option) or 62 - 80mm (Wide option).



Drawings are not to scale. All dimensions in mm.

info@csfordoors.co.nz
www.csfordoors.co.nz

Bay of Plenty / Waikato
 T 07 928 0800
 F 07 928 2525

Christchurch
 T 03 348 6158
 F 03 348 6150

Wellington
 T 04 473 9994
 F 04 473 9995

Another quality product from:

 **FOR DOORS**
Auckland Head Office
 T 09 276 0800
 F 09 276 2525

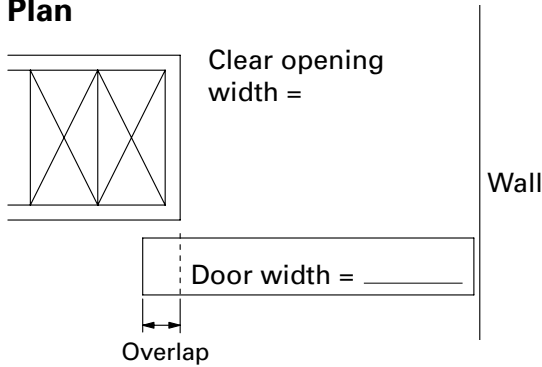
BarnDoorTrack™ - Single

Door width = _____

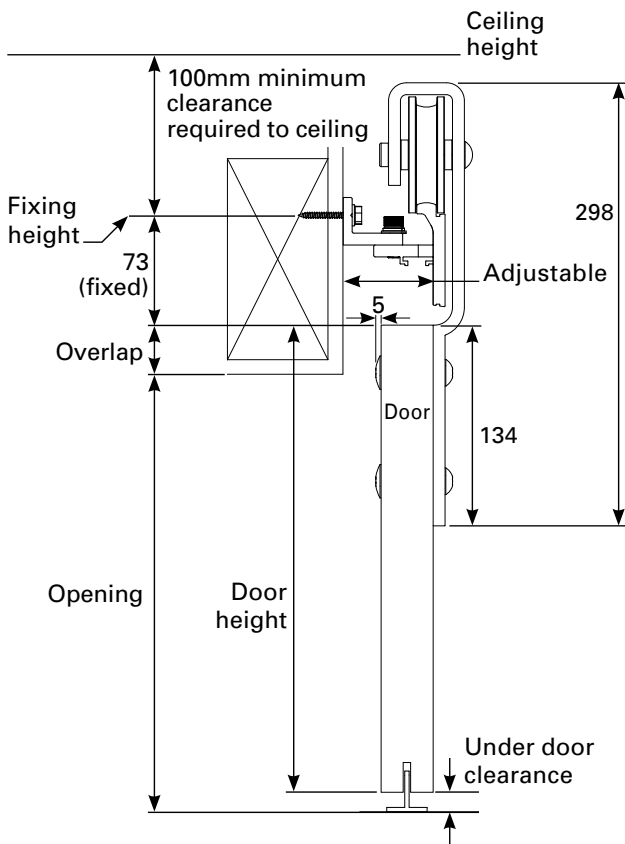
Track length = _____

Overlap = 50 / 70 / 100

Plan



Elevation



Requires
1x Hanger Pack per door
(sold separately)
which contains:
 2x HANGER BRACKETS
 2x TRACK STOPS
 FLOOR GUIDE

Door Height Calculation

Opening _____
 + Overlap _____
 Less Under Door clearance _____
 Door Height = _____

Door Width Calculation

Clear opening _____
 + overlap _____
 Door width = _____

Track Length Calculation

(DW x 2) _____
 Less overlap _____
 Track length = _____

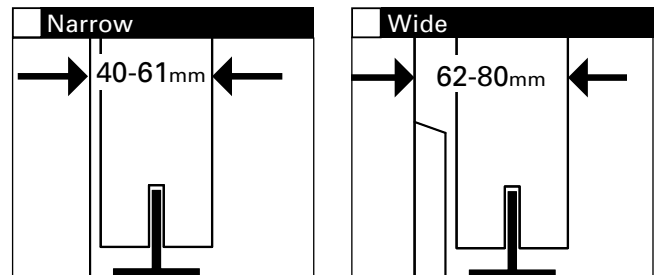
Fixing Height Calculation

Door Height _____
 + 73mm (fixed) **+73**
 + Under Door clearance _____
 Fixing Height = _____

Determine overall thickness

Track is supplied with either a Narrow or Wide track bracket which can be adjusted to suit an overall thickness of door + gap + architrave of:

40 - 61mm (Narrow option) or 62 - 80mm (Wide option).



Drawings are not to scale. All dimensions in mm.

info@csfordoors.co.nz
www.csfordoors.co.nz

Bay of Plenty / Waikato
 T 07 928 0800
 F 07 928 2525

Christchurch
 T 03 348 6158
 F 03 348 6150

Wellington
 T 04 473 9994
 F 04 473 9995

Another quality product from:

 **FOR DOORS**
Auckland Head Office
 T 09 276 0800
 F 09 276 2525